



# ALIAVALVE

## 2-Valve Manifolds / 3-Valve Manifolds

### Model AHV400 Series

#### GENERAL

**ALIAVALVE** AHV400 series manifolds feature a horizontal body design. Manifolds are constructed out of bar-stock and forged material in 316 stainless Steel as Standard.

Standard models are available in 2-, 3-way configurations together with a full range of connection types; custom designs are available on demand.

Each manifold undergoes hydraulic pressure, pneumatic pressure, vacuum, vibration and thermal stability testing to ensure product integrity.

#### FEATURES

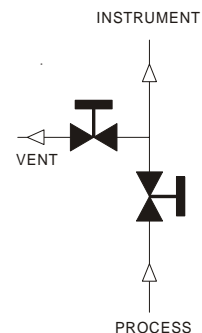
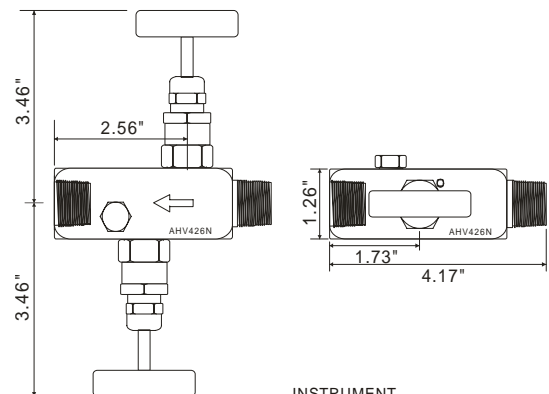
- ❑ All 316 Stainless steel construction
- ❑ Convenient for blocking, exhausting, and calibrating pressure instruments
- ❑ Flange seals and flange bolts are included with manifold
- ❑ Designed for connecting system impulse line & transmitter
- ❑ Special hardened ball seat is ideal for both gas and liquid service
- ❑ All stem packing is located below to stem threads presenting galling, corrosion and contamination
- ❑ One piece construction for higher pressure

#### Double Block & Bleed Gauge Valves

Design for use with gauges, switch or pressure transmitter.

These gauge valve incorporates two-valve with single outlet that combines isolation, calibration and ventilation.

- Model : AHV426N
- Test Pressure : @ 25 °C
  - Hydrostatic : Body - 9000Psi
  - : Seat - 6000Psi
  - Pneumatic : Seat - 580Psi
  - Gland Packing : PTFE
- Material
  - Body : Stainless Steel 316
  - Wetted parts : Stainless Steel 316
  - Plate : Stainless Steel 316
- Max. Temperature : 356 °F ( 180 °C)
- Connection
  - Process : 1/2" NPTM
  - Instrument : 1/2" NPTF



#### ALIA GROUP INC.

113 Barksdale Professional Center, Newark, DE 19711, USA  
 TEL : + 1 - 302 - 213 - 0106 FAX : + 1 - 302 - 213 - 0107

URL : [www.alia-inc.com](http://www.alia-inc.com)  
 E-mail : [alia@alia-inc.com](mailto:alia@alia-inc.com)  
 AHV400V1.1.8.LT.en

### ➤ Separately Mounted 3-Valve Manifold

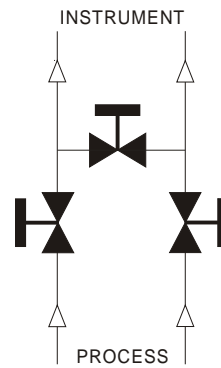
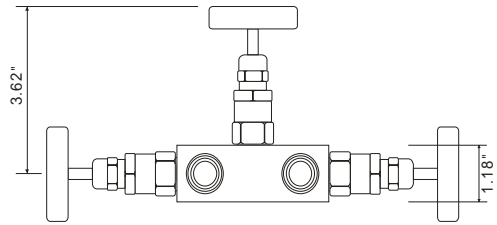
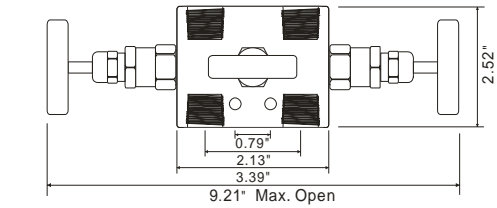
Designed for applications to facilitate remote mounting of Differential Pressure instruments. Dimensions shown right are for the standard 54 mm or 2-1/8" instrument connection. Centre distance found in majority of instruments. Useful for installations in remote fields eliminating conventional method of piping.

- Model : AHV436N
- Test Pressure : @ 25 °C
  - Hydrostatic : Body - 9000Psi
  - : Seat - 6000Psi
  - Pneumatic : Seat - 580Psi
- Gland Packing : PTFE

- Material
  - Body : Stainless Steel 316
  - Wetted parts : Stainless Steel 316
  - Plate : Stainless Steel 316

- Max. Temperature : 356 °F ( 180 °C )

- Connection
  - Process : 1/2" NPTF
  - Instrument : 1/2" NPTF



### ➤ T-Type Direct Mounting 3-Valve Manifold

Designed for applications to facilitate remote mounting of Differential Pressure instruments. Dimensions shown above are for the standard 54 mm or 2-1/8" instrument connection. Centre distance found in majority of instruments. Useful for installations in remote fields eliminating conventional method of piping.

- Model : AHV436T
- Test Pressure : @ 25 °C
  - Hydrostatic : Body - 9000Psi
  - : Seat - 6000Psi
  - Pneumatic : Seat - 580Psi
- Gland Packing : PTFE

- Material
  - Body : Stainless Steel 316
  - Wetted parts : Stainless Steel 316
  - Plate : Stainless Steel 316

- Max. Temperature : 356 °F ( 180 °C )

- Connection
  - Process : 1/2" NPTF
  - Instrument : Direct on instrument

