



ALIAMAG

Converter For Electromagnetic Flowmeter

Model AMC2100 Series

GENERAL

ALIAMAG The Aliamag AMC2100 series converter is a microprocessor based intelligent transmitter that can be paired with any of the Alia AMF Series sensors. The unit features multiple display parameters including flow rate, flow total, diagnostics, programming and troubleshooting.

FEATURES

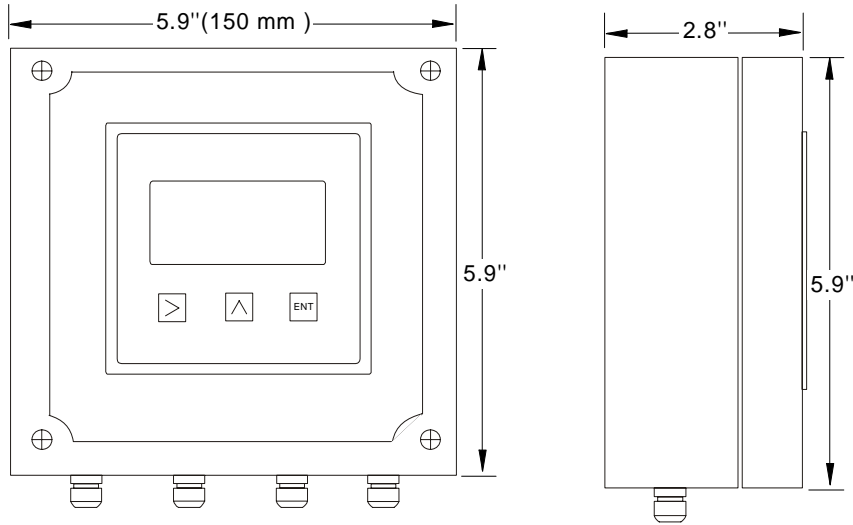
- ❑ Three line LCD display Flowrate / Totalizer
- ❑ Accuracy of +/-0.4% value of reading
- ❑ Bi-directional flow measurement, current and pulse output
- ❑ Large digital display
- ❑ Records up to 99 power on/off time
- ❑ MODBUS/HART communication

STANDARD SPECIFICATION

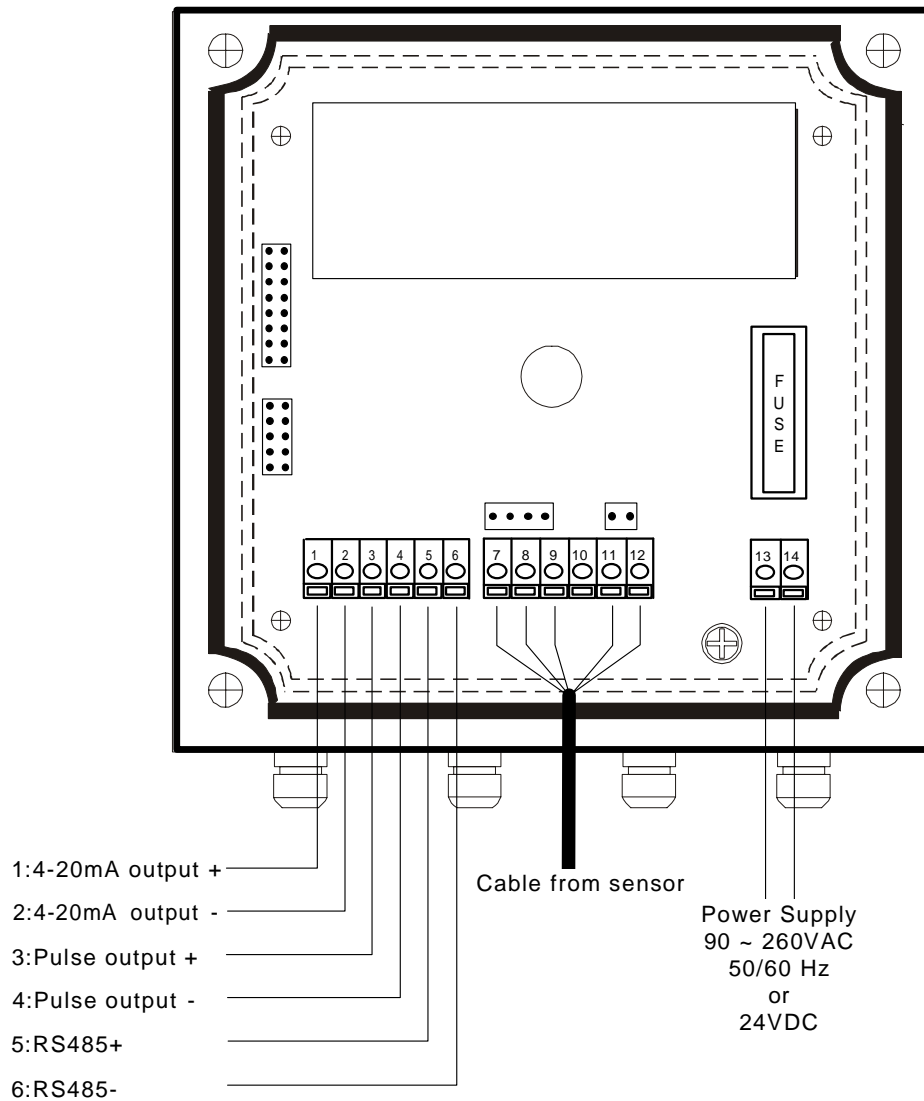
- | | | | |
|-------------------|---|------------------------|---|
| ● Excitation | : DC pulsed | ● Keyboard | : 3 external keys for programming and display control |
| ● Display | : 3 lines LCD with illumination | ● Low Flow Cutoff | : 0 to 9.9 % |
| Line 1 : | 11 digit totalizer for forward flow
11 digit totalizer for reverse flow
11 digit totalizer for difference | ● Data logger Function | : 99 times flowrate records for power on/off |
| Line 2 : | 5 digit flowrate / Velocity / % / mA / HZ | ● Record Data | : Date/Time when Power on/off
: Flow rate when Power on/off
: Totalizer when Power on/off |
| Line 3 : | Parameter / Query / Clr tot / Query LOG
Alarm, Guidance | ● Damping | : 0 to 99 Seconds |
| Unit : | M3/H, L/H, Kg/H, T/H, L/min
M3/min, GPH, GPM | ● Density Setting | : 0.1 to 9.99 g/cm2(SG:0.1 to 9.99) |
| ● Measuring Range | : Min. 0 to 0.15 m/s / (0 to 5 ft/s)
: Max. 0 to 15 m/s / (0 to 49 ft/s) | ● Self Diagnosis | : The following error message are displayed if failure occurs
- Coil failure
- Power failure
- Overranged output
- Internal error
- Overflow
- Empty pipe |
| ● Accuracy | : +/-0.4% read-out values (Velocity ≥ 1.6 ft/s)
: +/-0.002 m/s (Velocity < 1.6 ft/s) | ● Cable Entry | : Standard :PG11 Option :1/2"NPTF |
| ● Repeatability | : +/-0.1% read-out values | ● Protection Class | : IP 65 |
| ● Current Output | : 4-20 mA (Isolated)
Load : Max. 600 Ω | ● Ambient Temperature | : -13 ~ +149 °F (-25 ~ +65 °C) |
| ● Pulse output | : Open collector
Rating : 3 to 30 VDC, 20 mA Max. | ● Material | : Aluminum Alloy |
| ● Pulse Rate | : 1)Scale pulse (Pusle/M3, Pulse/L, Other)
: 2)Frequency: 0-5000 Hz | ● Power Supply | : 90-260 VAC, 50/60 Hz
: 24VDC +/-10%(Option) |
| ● Pulse Width | : 50% of band width | ● Power Consumption | : 3-17 W (Dependent on sensor size) |
| ● Alarm | : High/Low with open collector output
Rating : 3 to 30 VDC, 20 mA Max. | ● Weight | : 3.0 lbs |
| ● Communication | : RS 485 (MODBUS Protocol)
: HART signal | ● Mounting | : Wall mounting
: Bracket on 2" pipe |
| ● Data Storage | : Operation parameters and totalizer figures are stored by EEPROM for more than 10 years | | |



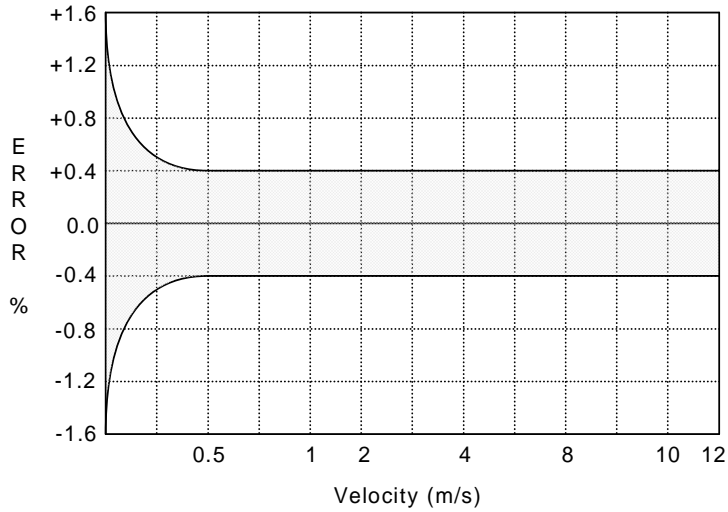
➤ DIMENSIONS



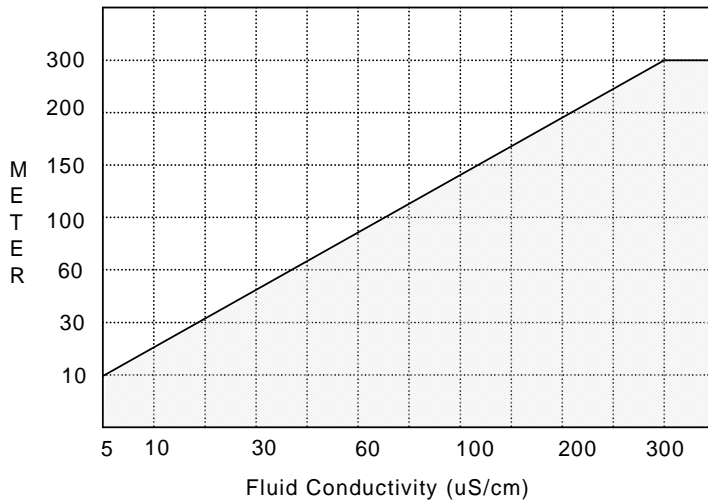
➤ WIRING DIAGRAM



➤ ACCURACY



➤ CABLE LENGTH BETWEEN SENSOR & CONVERTER



➤ MODEL SELECTION GUIDE

AMC2100 Series					
Example: AMC2100-AC-CP-HT-NN					
AMC2100-	XX-	XX-	XX-	XX	Description
Power Supply	AC-				90-260 Vac, 50/60 Hz
	DC-				24Vdc, +/-10%
Mounting		CP-			Compact with Sensor
			SW-		Separate, Wall Mounting
				S2-	Separate, 2" Mounting Bracket
Communication			NN-		RS 485(MODBUS Protocol)
				HT-	HART Signal
Option			NN		None
				PT	Cable Entry 1/2" NPTF

➤ BUILD OPTIONS-(COMPACT OR REMOTE)

