



ALIAMAG

Converter For Electromagnetic Flowmeter

Model AMC2100 Series

GENERAL

ALIAMAG AMC2100 series Converter can be used with AMF series flow tubes in both compact or separate versions.

FEATURES

- Three line LCD display for Flow rate/Totalizer
- Accuracy of +/-0.4% of reading
- Bi-directional flow measurement, current and pulse output
- 4-20mA auxiliary Input include 4 digit display
- 99 of times Datalogger function for power on/off
- MODBUS/HART communication

STANDARD SPECIFICATION

- | | | | |
|-------------------|---|-----------------------|---|
| ● Excitation | : Square wave | ● Keyboard | : 3 keys from internal for programming and display control. |
| ● Display | : 3 lines LCD with illumination | | : 3 keys from remote control for programming and display control. |
| Line 1 | : 11 digit totalizer for forward flow | ● Low Flow Cutoff | : 0 to 9.9 % |
| | : 11 digit totalizer for reverse flow | ● Datalogger Function | : 99 of times record for power on/off |
| | : 11 digit totalizer for difference | ● Record Data | : Date/time when Power on/off |
| Line 2 | : 5 digit flowrate / Velocity / % / mA / HZ | | : Flow rate when Power off |
| Line 3 | : Parameter / Query / Clr tot / Query LOG | | : Totalizer when Power off |
| | : Alarm, Guidance | ● Damping | : 0 to 99 Second |
| Unit | : M3/H , L/H , Kg/H , T/H , L/min | ● Density Setting | : 0.1 to 9.99 g/cm2 |
| | : M3/min , GPH , GPM | ● Self Diagnosis | : The following error message is indicated when applicable |
| ● Measuring Range | : Min. 0 to 0.15 m/s | | - Coil fail |
| | : Max. 0 to 15 m/s | | - Power fail |
| ● Accuracy | : +/-0.4% of reading (Velocity >= 0.5 m/s) | | - Output overranged |
| | : +/-0.002 m/s (Velocity < 0.5 m/s) | | - Internal error |
| ● Repeatability | : +/-0.1% of reading | | - Overflow |
| ● Current Output | : 4-20 mA (Isolated) | | - Empty pipe |
| | : Load : Max. 600 Ω | ● Cable Entry | : 4 X PG 11 |
| ● Pulse output | : Open collector | ● Protection Class | : IP 65 |
| | : Rating : 3 to 30 VDC, 20 mA Max. | ● Ambient Temperature | : -25 to +65 °C |
| ● Pulse Rate | : 1)Scale pulse, (Pulse/M3, Pulse/L, Other) | ● Material | : Aluminum Alloy |
| | : 2)Frequency, 0-5000 Hz | ● Power Supply | : 90-260 VAC, 50/60 Hz |
| ● Pulse Width | : 50% of band width | | : 24VDC +/-10%(Option) |
| ● Alarms | : High/Low with open collector output | ● Power Consumption | : 3-17 W (depending on the sensor size) |
| | : Rating : 3 to 30 VDC, 20 mA Max. | ● Weight | : 1.4 Kg |
| ● Communication | : RS 485(MODBUS Protocol) | ● Mounting | : Wall mounting |
| | : HART signal | | |
| ● Data Storage | : Operation parameters and totalization figures are stored by EEPROM for more than 10 years | | |

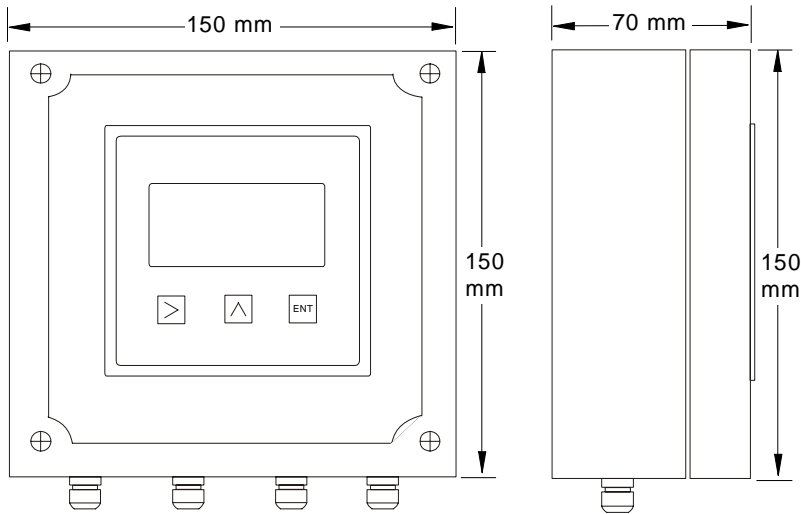


ALIA GROUP INC.

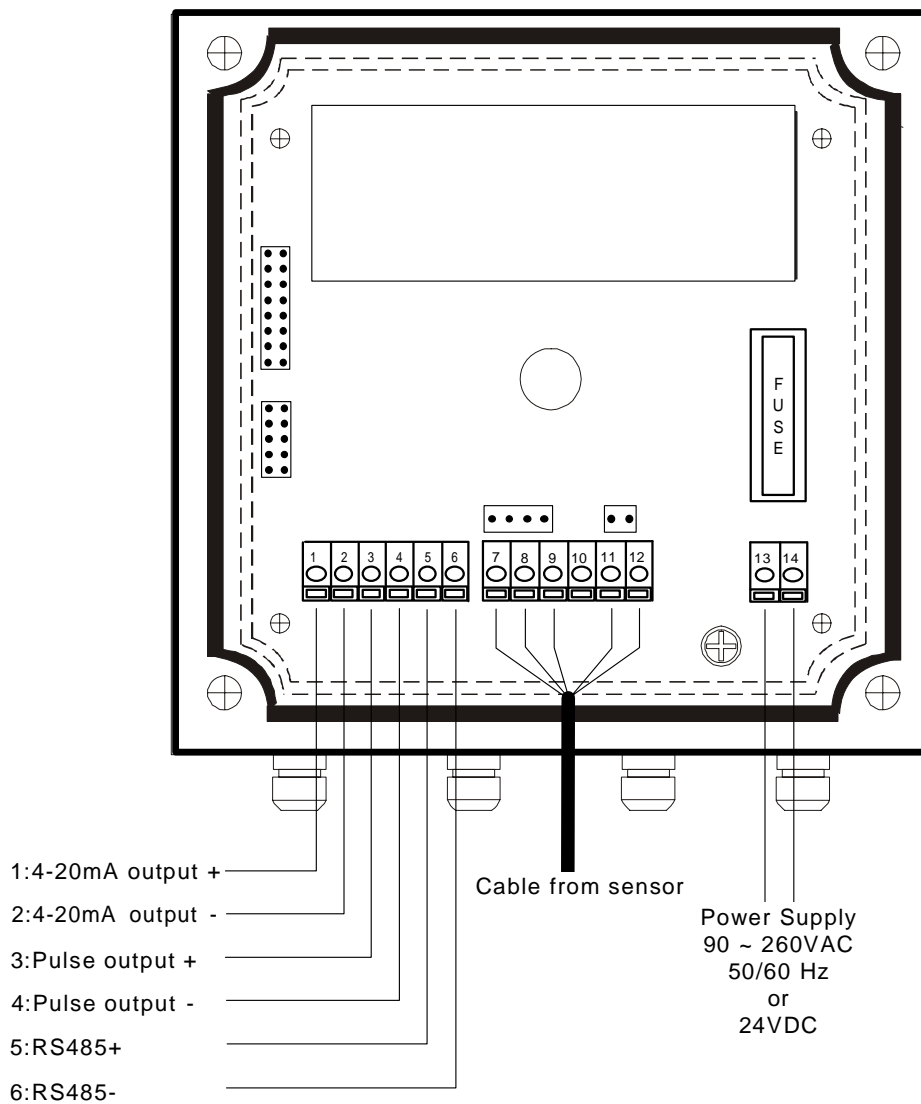
113 Barksdale Professional Center, Newark, DE 19711, USA
TEL : + 1 - 302 - 213 - 0106 FAX : + 1 - 302 - 213 - 0107

URL : www.alia-inc.com
E-mail : alia@alia-inc.com
AMC2100V1.1.2en

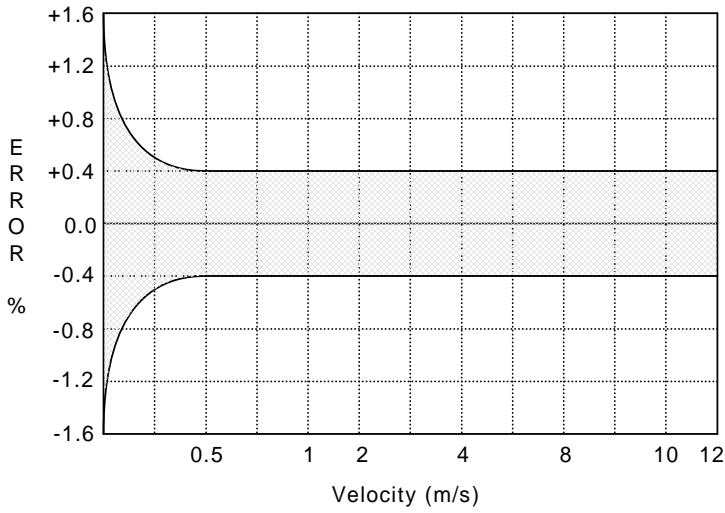
➤ DIMENSION



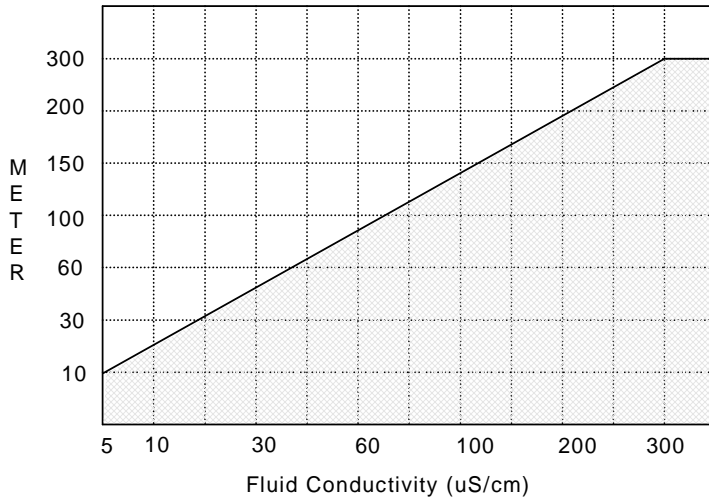
➤ ELECTRICAL CONNECTION



➤ ACCURACY



➤ CABLE LENGTH BETWEEN SENSOR TO CONVERTER



➤ MODEL SELECTION GUIDE

| AMC2100 Series | | | | |
|---------------------------|-----|-----|----|-------------------------------|
| Example: AMC2100-AC-CP-HT | | | | |
| AMC2100- | XX- | XX- | XX | Description |
| Power supply | AC- | | | 90-260 Vac, 50/60 Hz |
| | DC- | | | 24Vdc, +/-10% |
| Mounting | | CP- | | Compact with Sensor |
| | | SW- | | Separate, wall mounting |
| | | S2- | | Separate, 2" mounting bracket |
| Communication | | | NN | RS 485(MODBUS Protocol) |
| | | | HT | HART signal |