



ALIAMAG

Converter For Electromagnetic Flowmeter

Model AMC3100 Series

GENERAL

ALIAMAG The Aliamag AMC3100 series converter is a microprocessor based intelligent transmitter that can be paired with any of the Alia AMF Series sensors. The unit features multiple display parameters including flow rate, flow total, diagnostics, programming and troubleshooting.

FEATURES

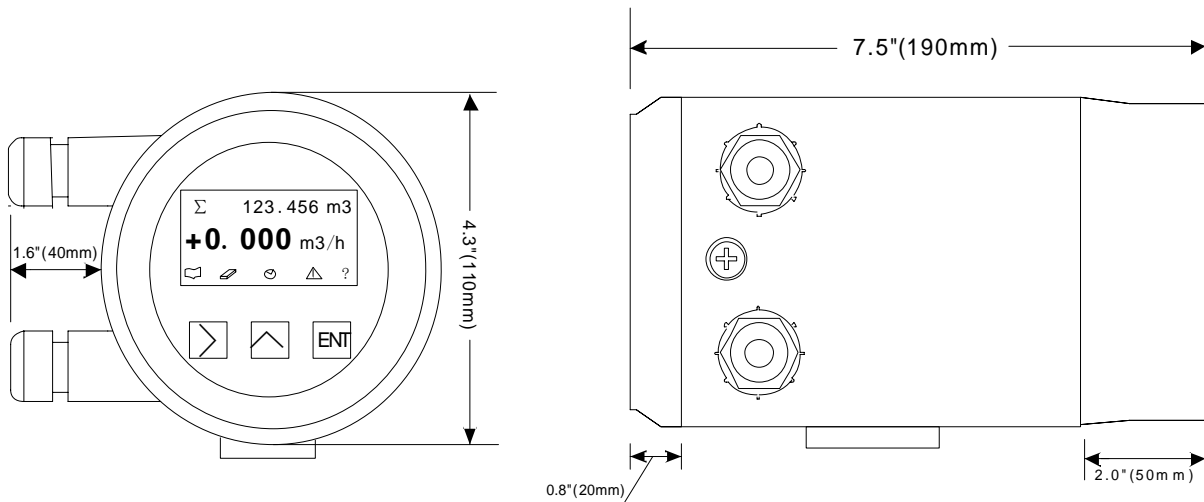
- Three line LCD display Flowrate/Totalizer
- Accuracy of +/-0.2% value of reading
- Bi-directional flow measurement, current and pulse output
- Explosion Proof, Exd(ib)ibqllBT5
- Records up to 99 power on/off time
- MODBUS/HART communication

STANDARD SPECIFICATION

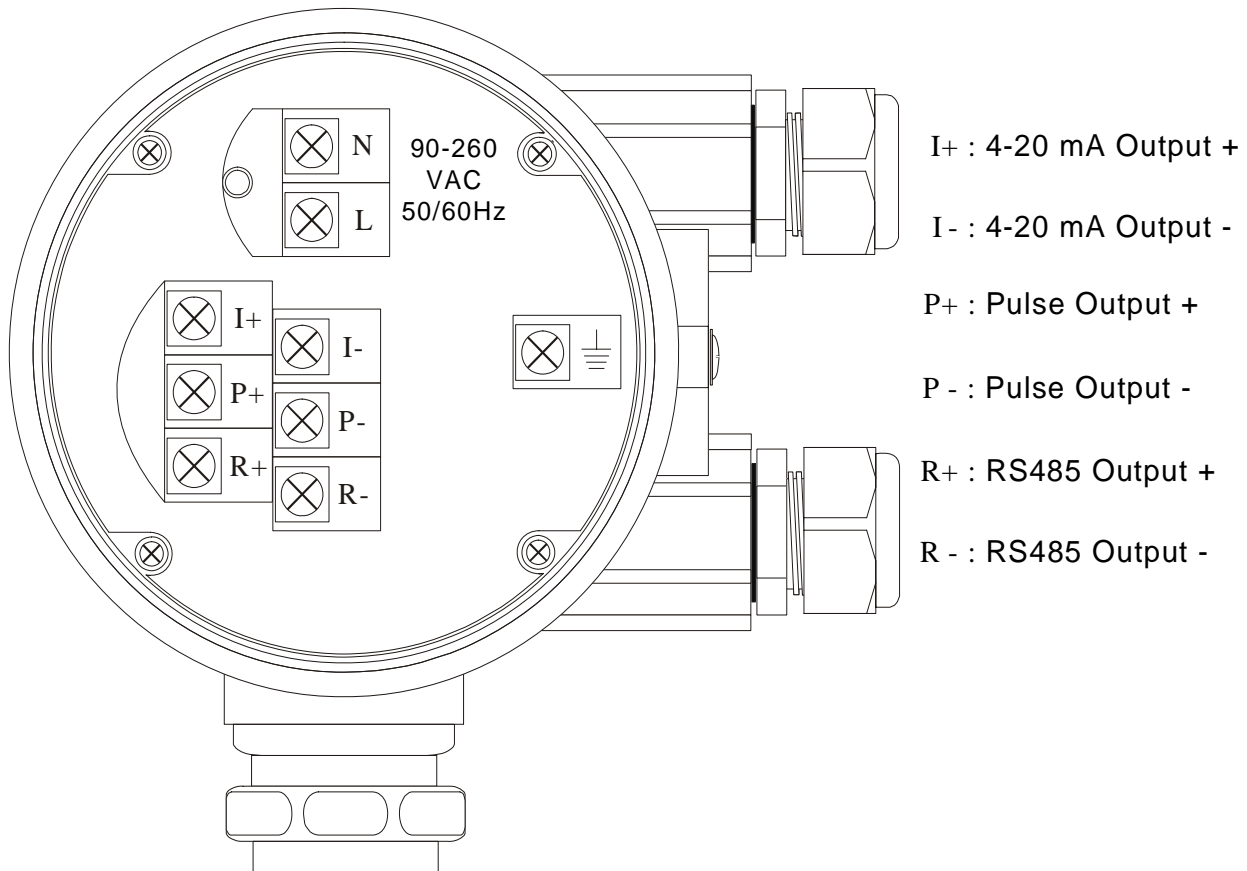
- Excitation : DC pulsed
- Display : 3 lines LCD with illumination
 - Line 1 : 11 digit totalizer for forward flow
 - : 11 digit totalizer for reverse flow
 - : 11 digit totalizer for difference
 - Line 2 : 5 digit flowrate / Velocity / % / mA / HZ
 - Line 3 : Parameter / Query / Clr tot / Query LOG
 - Alarm, Guidance
 - Unit : M3/H , L/H , Kg/H , T/H , L/min
 - : M3/min , GPH , GPM
- Measuring Range : Min. 0 to 0.15 m/s (0 to 0.5 ft/s)
- : Max. 0 to 15 m/s (0 to 49 ft/s)
- Accuracy : +/-0.2% read-out values (Velocity \geq 1.6 ft/s)
- : +/-0.001 m/s (Velocity < 1.6 ft/s)
- Repeatability : +/-0.05% read-out values
- Current Output : 4-20 mA (Isolated)
 - Load : Max. 600 Ω
- Pulse output : Open collector
 - Rating : 3 to 30 Vdc, 20 mA Max.
- Pulse Rate : 1)Scale pulse (Pulse/M3, Pulse/L, Other)
- : 2)Frequency, 0-5000 Hz
- Pulse Width : 50% of band width
- Alarm : High/Low with open collector output
 - Rating : 3 to 30 Vdc, 20 mA Max.
- Communication : RS 485(MODBUS Protocol)
- : HART signal
- Data Storage : Operation parameters and totalizer figures are stored by EEPROM for more than 10 years
- Keyboard : 3 external keys for programming and display control
- Remote switch instead, no need to open cover
- Low Flow Cutoff : 0 to 9.9 %
- Data logger Function : 99 times flowrate records for power on/off
- Record Data : Date/Time when Power on/off
- : Flow rate when Power on/off
- : Totalizer when Power on/off
- Damping : 0 to 99 Seconds
- Density Setting : 0.1 to 9.99 g/cm3(SG:0.1 to 9.99)
- Self Diagnosis : The following error messages are displayed if failure occurs
 - Coil failure
 - Power failure
 - Overranged output
 - Internal error
 - Overflow
 - Empty pipe
- Cable Entry : Standard:M20 / PG11 Option:1/2"NPTF
- Protection Class : IP 67, Explosion proof,Exd(ib)ibqllBT5
- Ambient Temperature : -13 ~ +149 °F (-25 ~ +65 °C)
- Material : Aluminum Alloy
- Power Supply : 90-260 Vac, 50/60 Hz
- : 24Vdc +/-10%(Option)
- Power Consumption : 3-17 W (Dependent on sensor size)
- Weight : 10.0 lbs
- Mounting : Wall mounting
- : Bracket on 2" pipe



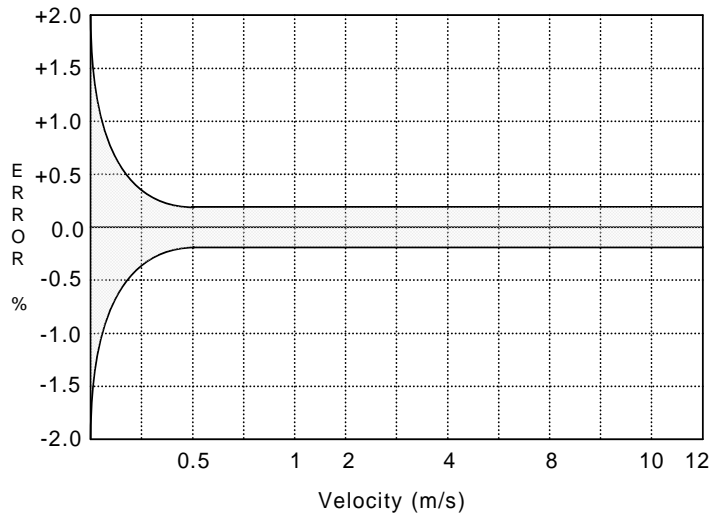
➤ DIMENSIONS



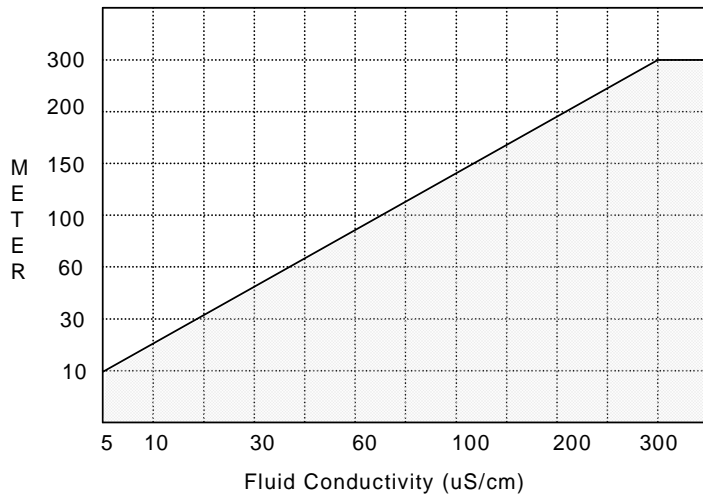
➤ WIRING DIAGRAM



➤ ACCURACY



➤ CABLE LENGTH BETWEEN SENSOR & CONVERTER



➤ MODEL SELECTION GUIDE

AMC3100 Series						
Example: AMC3100-AC-CP-EX-HT-NN						
AMC3100-	XX-	XX-	XX-	XX-	XX	Description
Power supply	AC-					90-260 Vac, 50/60 Hz
	DC-					24Vdc, +/-10%
Mounting	CP-					Compact with Sensor
	SW-					Separate, Wall Mounting
	S2-					Separate, 2" Mounting Bracket
Protection Class	NN-					IP67
	EX-					Explosion Proof, Exd(ib)IbqIIBT5
Communication	NN-					RS 485(MODBUS Protocol)
	HT-					HART Signal
Option	NN					None
	PT					Cable Entry 1/2" NPTF

➤ BUILD OPTIONS-(COMPACT OR REMOTE)

