

GENERAL

ALIAMAG The Aliamag AMC3200 series converter is a microprocessor based intelligent transmitter that can be paired with any of the Alia AMF series sensors. The unit features multiple display parameters including flow rate, flow total, diagnostics, programming and troubleshooting. It's equipped with bluetooth, HART and Modbus communication functions.

FEATURES

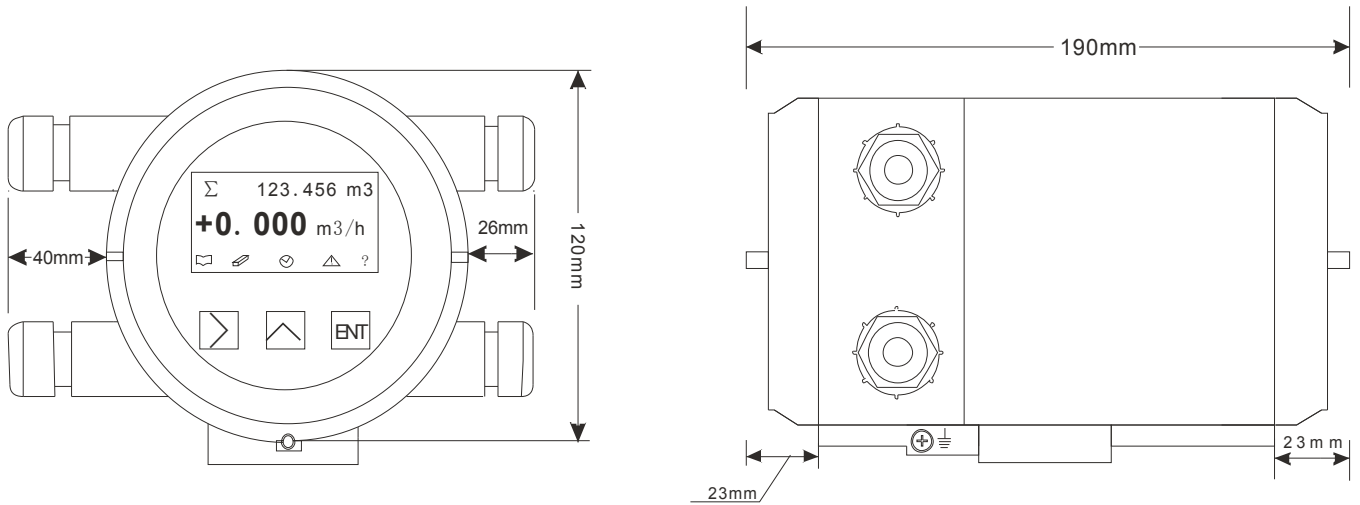
- ❑ Three line LCD display Flow Rate / Totalizer
- ❑ Accuracy of +/-0.2% value of reading
- ❑ Bi-directional flow measurement, current and pulse output
- ❑ Explosion Proof, Exd(ib)IbqIIBT5
- ❑ Bluetooth/MODBUS/HART communication
- ❑ Converter can be rotated at Four directions for easy installation

STANDARD SPECIFICATION

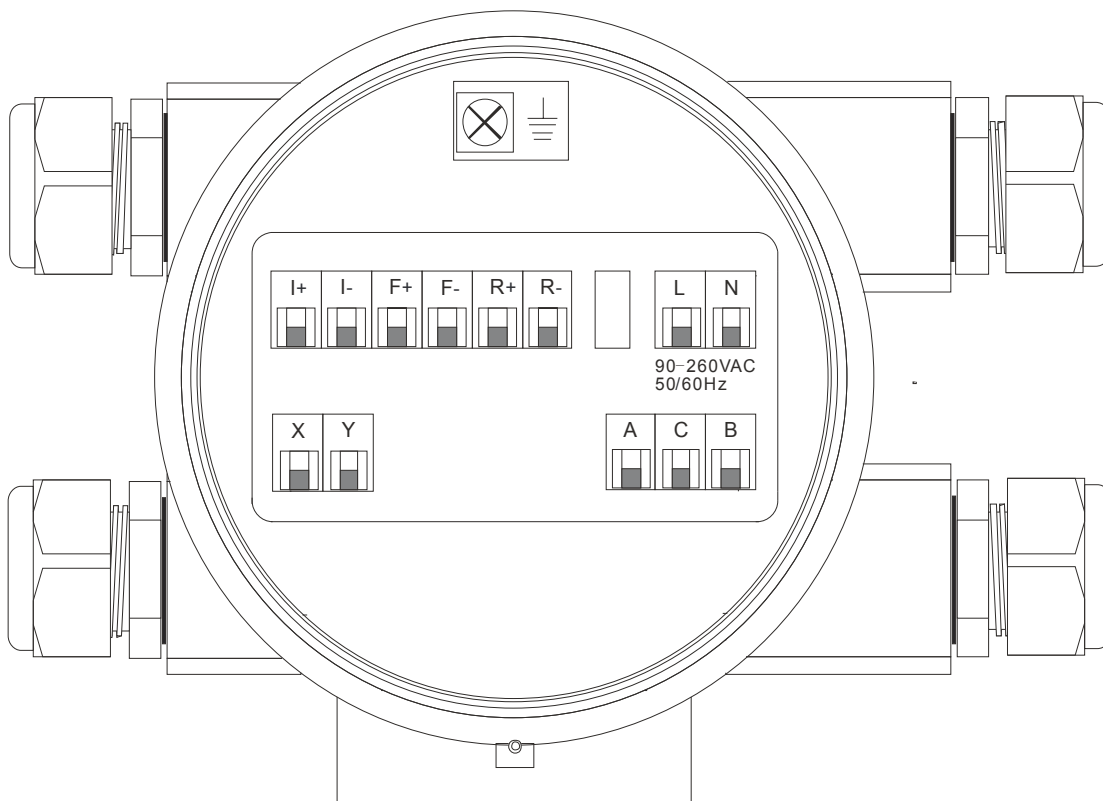
- | | | | |
|-------------------|---|-----------------------|--|
| ● Excitation | : DC pulsed | ● Keypad | : 3 internal keys for programming and display control |
| ● Display | : 3 lines LCD with illumination | ● Data Storage | : Operation parameters and totalizer figures are stored by EEPROM for more than 10 years |
| Line 1 | : 11 digit totalizer for forward flow | ● Low Flow Cutoff | : 0 to 9.9 % |
| | : 11 digit totalizer for reverse flow | ● Damping | : 0 to 99 Seconds |
| | : 11 digit totalizer for difference | ● Density Setting | : 0.1 to 9.99 g/cm3 |
| Line 2 | : 5 digit flowrate / velocity / % / mA / HZ | ● Self Diagnosis | : The following error message are displayed if failure occurs |
| Line 3 | : Parameter / Query / Clr tot / Query LOG | | - Coil failure |
| | Alarm, Guidance | | - Power failure |
| Totalizer Unit | : T, Kg, g, lb, Ston, Lton,m3,L,mL,lgal, gal, | | - Overanged Output |
| | : Mgal, bbl, ft3, a-ft | | - Internal error |
| Time Unit | : sec, min, hour, day | | - Overflow |
| ● Measuring Range | : Min. 0 to 0.15 m/s | | - Empty pipe |
| | : Max. 0 to 15 m/s | ● Cable Entry | : Standard :M20 Option:1/2"NPTF |
| ● Accuracy | : +/-0.2% of reading (Velocity ≥ 0.5 m/s) | ● Protection Class | : IP 67, Explosion proof, Exd(ib)IbqIIBT5 |
| | : +/-0.001 m/s (Velocity < 0.5 m/s) | ● Ambient Temperature | : -25 to +65 °C |
| ● Repeatability | : +/-0.05% of reading | ● Material | : Aluminum Alloy |
| ● Current Output | : 4-20 mA (Isolated) | ● Power Supply | : 90-260 Vac, 50/60 Hz |
| | Load : Max. 600 Ω | | : 24Vdc +/-10% (Option) |
| ● Pulse Output | : Open collector | ● Power Consumption | : 3-17 W (Dependent on sensor size) |
| | Rating : 3 to 30 Vdc, 20 mA Max. | ● Weight | : 4.5 Kg |
| ● Pulse Rate | : 1)Scale pulse (Pulse/mL, Pulse/L, Other) | ● Mounting | : Bracket on 2" pipe |
| | : 2)Frequency: 0-5000 Hz | | |
| ● Pulse Width | : 50% of band width | | |
| ● Alarm | : High/Low with open collector output | | |
| | Rating : 3 to 30 Vdc, 20 mA Max. | | |
| ● Communication | : Bluetooth (Android)Standard | | |
| | : RS 485 (MODBUS Protocol)Standard | | |
| | : HART signal (Compatible)Optional | | |



➤ DIMENSIONS



➤ WIRING DIAGRAM

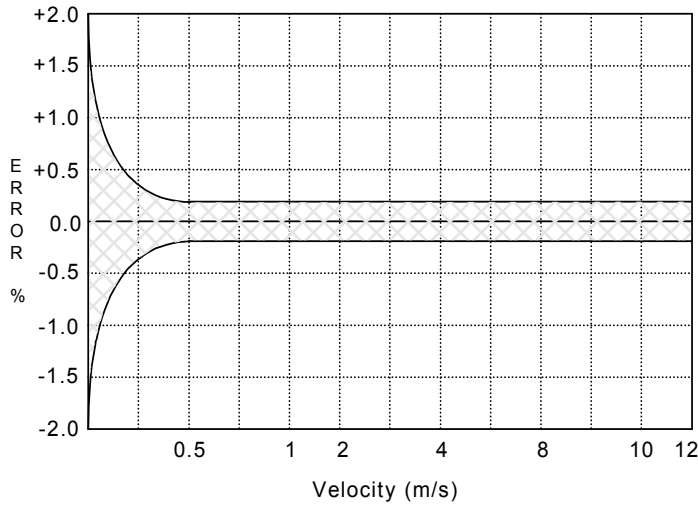


I+: 4-20mA Output +
I-: 4-20mA Output -

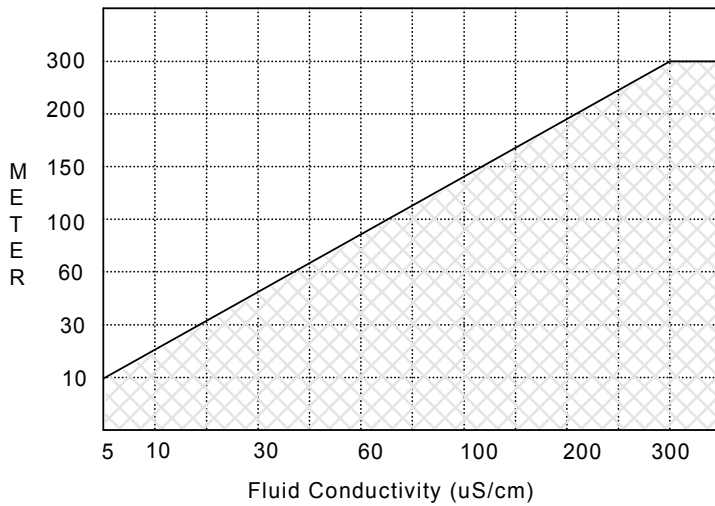
F+: Pulse Output +
F-: Pulse Output -

R+: RS485 Output +
R-: RS485 Output -

➤ ACCURACY



➤ CABLE LENGTH BETWEEN SENSOR & CONVERTER



➤ MODEL SELECTION GUIDE

AMC3200 Series						
Example: AMC3200-AC-CP-EX-HT/PT						
AMC3200-	XX-	XX-	XX-	XX-	XX	Description
Power Supply	AC-					90-260 Vac, 50/60 Hz
	DC-					24Vdc, +/-10%
Mounting	CP-					Compact with Sensor
	S2-					Separate, 2" Mounting Bracket
Protection Class	NN-					IP67
	EX-					Explosion Proof, Exd(ib)jibqIBT5
Option	NN-					None
	HT-					HART Signal (Compatible)
	PT-					Cable Entry 1/2" NPTF

➤ BUILD OPTIONS-(COMPACT OR REMOTE)

