

GENERAL

ALIAMAG The Aliamag AMC4000 series is battery-powered, and a microprocessor based intelligent transmitter that can be paired with any of the Alia AMF Series sensors. The unit features multiple display parameters including flow rate, flow total, diagnostics, programming and troubleshooting.

FEATURES

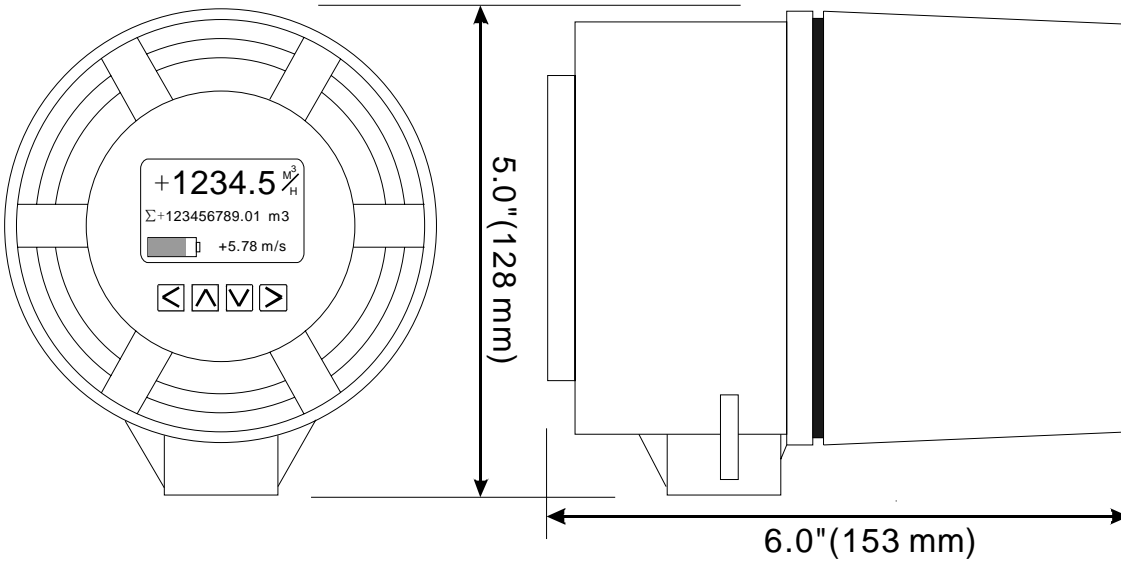
- Battery life 2~3 years in normal working condition
- Accuracy of +/-0.3% value of reading
- Bi-directional flow measurement and pulse output
- 3 lines of LCD display flowrate and totalizer
- 99 times of flowrate & totalizer storage when power on/off
- IP67/IP68 protection class

STANDARD SPECIFICATION

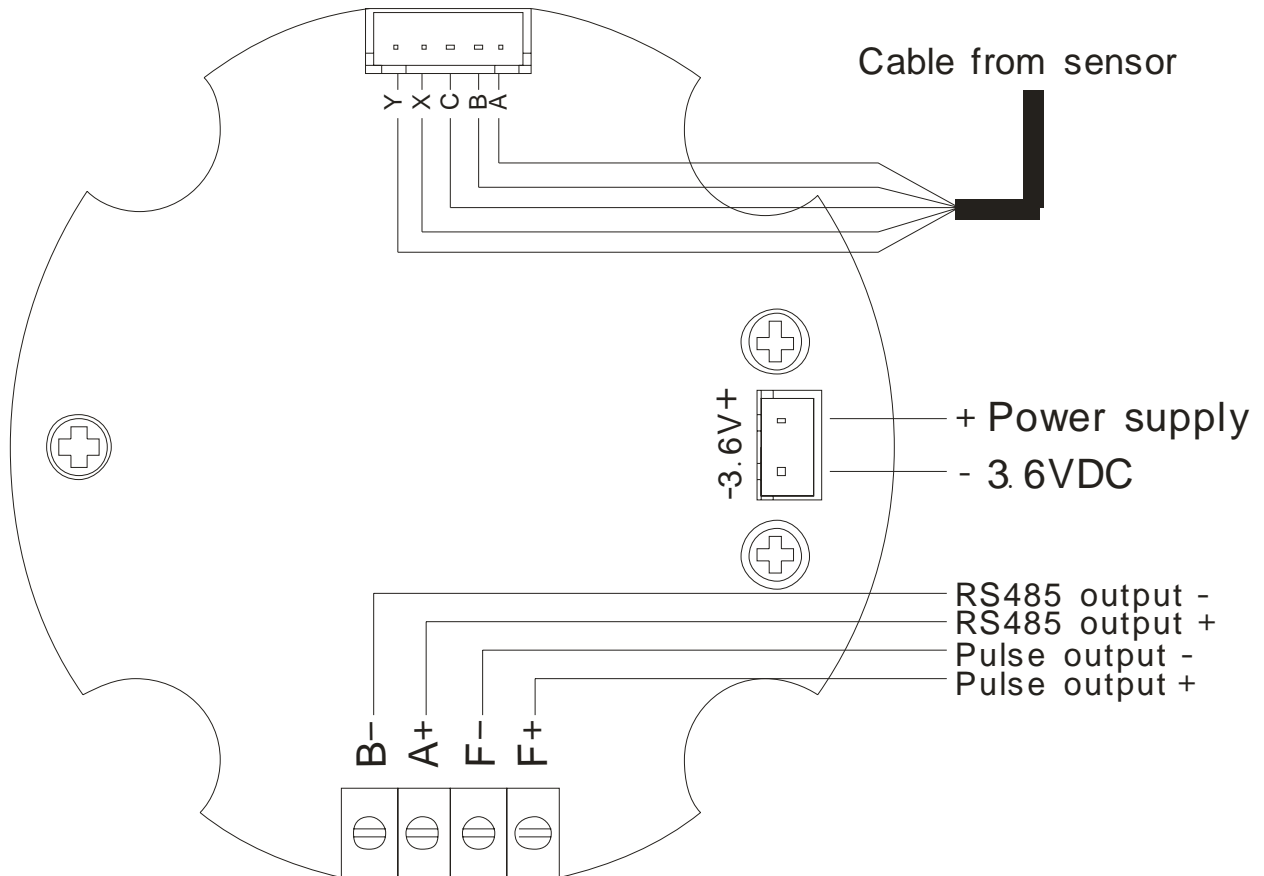
- | | | | |
|-------------------|---|--------------------------|--|
| ● Excitation | : DC pulsed | ● Low Flow Cutoff | : 0 ~ 9.9 % |
| ● Display | : 3 lines of LCD | ● Self Diagnosis | : The following error message are displayed if failure occurs |
| Page 1/ Line 1 | : 5-digit flowrate | - Coil failure | |
| Page 1/ Line 2 | : 11-digit forward totalizer | - Power failure | |
| Page 1/ Line 3 | : Battery status, flow velocity | - Overranged output | |
| Page 2/ Line 1 | : 11-digit totalizer | - Internal error | |
| Page 2/ Line 2 | : 11-digit reverse totalizer | - Overflow | |
| Page 2/ Line 3 | : Display instantaneous velocity | - Empty pipe | |
| Page 3 | : Alarm | ● Cable Entry | : Standard:PG11 Option:1/2"NPTF |
| ● Flow Unit | : M3/Hr, M3/min, M3/sec, L/Hr, L/min
GPH, GPM, GPS, ML/H, ML/m, ML/S | ● Protection Class | : IP 67
: IP 68 (Submersible)
: Explosion Proof, Exd(ib)ibqIIBT5 |
| ● Totalizer Unit | : M3, Gallon, Liter, ML | ● Ambient Temp. | : -13 to +149 °F (-25 to +65 °C) |
| ● Measuring Range | : Min. 0 ~ 0.15 m/s (0 to 0.5 ft/s)
: Max. 0 ~ 15.0 m/s (0 to 49 ft/s) | ● Housing Material | : Aluminum Alloy |
| ● Accuracy | : +/-0.3% of reading (velocity ≥ 1.6 ft/s)
: +/-0.0015 m/s (velocity < 1.6 ft/s) | ● Power Supply | : 3.6V battery, Size D |
| ● Repeatability | : +/-0.05% of reading | ● Battery Life | : 2~3 years
Determined by size & function |
| ● Pulse Output | : Open collector
Load : 3 ~ 30 Vdc, max. 20 mA | ● Communication Protocol | : RS 485 (MODBUS protocol) |
| ● Pulse Rate | : 1)Scaled pulse (Liter/Pulse, other)
: 2)Frequency: 1~5000 Hz | ● Weight | : 4.4 lbs (Compact)
9.5 lbs (Separate) |
| ● Key | : 4 control keys to change parameters and switch display interface | ● Mounting | : Wall mounting
Bracket on 2" pipe
Compact version (Installed on sensor) |
| ● Damp Time | : 0.1~99.9 s | | |
| ● Data Storage | : Operation parameters and totalizer are stored by EEPROM for more than 10 years | | |



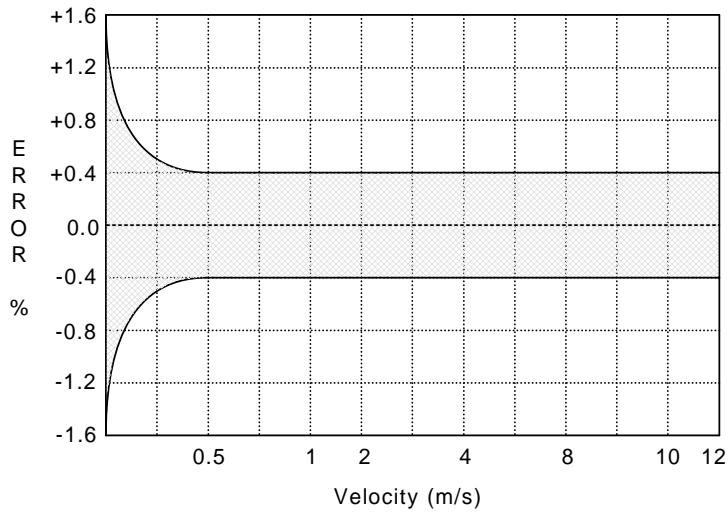
➤ DIMENSIONS



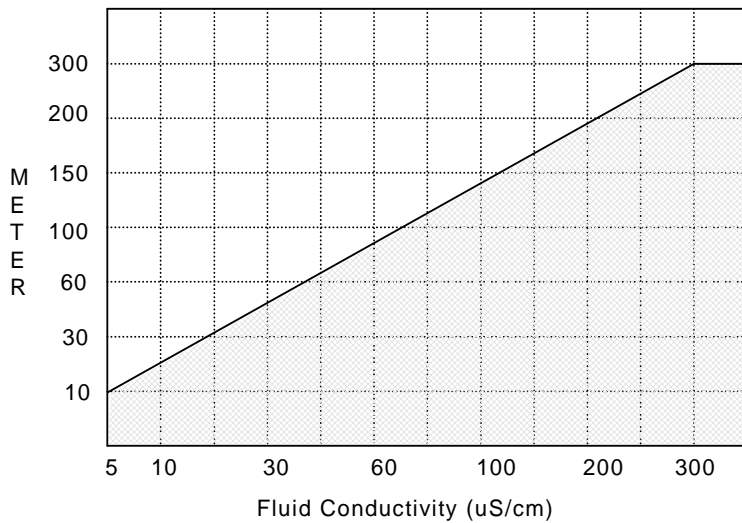
➤ WIRING DIAGRAM



➤ ACCURACY



➤ CABLE LENGTH BETWEEN SENSOR & CONVERTER



➤ MODEL SELECTION GUIDE

AMC4000 Series					
Example: AMC4000-CP-NN-BX-NN					
AMC4000-	XX-	XX-	XX-	XX	Description
Mounting	CP-				Compact with Sensor
	SW-				Separate, Wall Mounting
	S2-				Separate, 2" Mounting Bracket
Protection Class	NN-				IP 67
	68-				IP 68 (Submersible)
	EX-				Explosion Proof, Exd(ib)IIBT5
Battery	BX-				Battery Box without Battery
	BT-				Battery Box with Battery, 3.6V / Size D x 4 Pcs
Cable Entry	NN				None
	EP				6 pin IP65 connector (External Power/ Frequency/ RS485)
	PT				1/2" NPTF

➔ BUILD OPTIONS -(COMPACT OR REMOTE)

Separate Type



Compact Type