

GENERAL

ALIAMAG AMF300 Series is a threaded type electromagnetic flowmeter ideal for conductive liquids. It comes in sizes from 0.12"(3mm) to 1.25"(32mm).

The AMF300 is widely used for tap-water, waste water, food & beverage, pulp & paper and many other industrial fluid.

AMF300 Series electromagnetic flowmeter could be used in compact or separate model with AMC Series converter of electromagnetic flowmeter.

FEATURES

- Light and compact version
- Flow velocity range: 0-12 m/s, precise in low flow applications
- Interface thread piping
- FEP Liner is suitable for vacuum tube
- High accuracy of +/-0.4% value of reading (or +/-0.2% value of reading)
- With Forward/Reverse flowrate measurement function



STANDARD SPECIFICATION

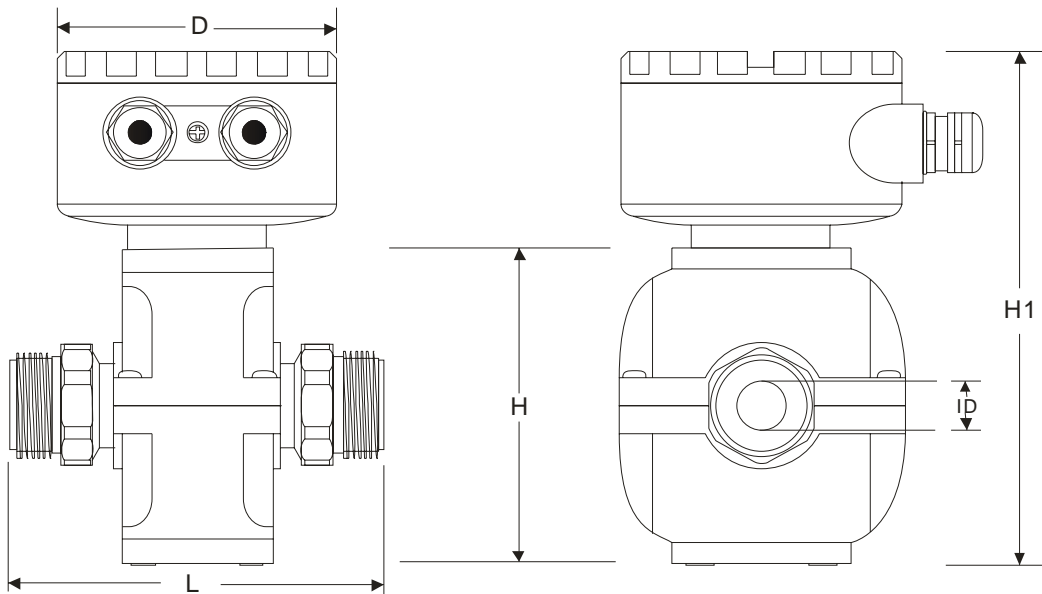
- Size : 0.12", 0.24", 0.39", 0.71", 0.87", 1.25"
- Measuring Range : Velocity 0-0.25 m/s(0.8ft/s) min.
0-12 m/s(39.4ft/s) max.
- Material
 - Tube & Connection : Stainless Steel 304
 - Coil Housing : PVC
 - Liner : FEP
 - Electrode : Stainless Steel 316L (0.12" ~ 1.25")
Titanium (0.12" ~ 1.25")
Hastelloy B (0.12" ~ 1.25")
Hastelloy C (0.12" ~ 1.25")
Tantalum (0.12" ~ 1.25")
Platinum (0.71" ~ 1.25")
- Flow Range
 - 0.12"(3 mm) : 0 - 1.7 USGPH ~ 0 - 81 USGPH
 - 0.24"(6 mm) : 0 - 6.7 USGPH ~ 0 - 323 USGPH
 - 0.39"(10 mm) : 0 - 19 USGPH ~ 0 - 896 USGPH
 - 0.71"(18 mm) : 0 - 61 USGPH ~ 0 - 2904 USGPH
 - 0.87"(22 mm) : 0 - 90 USGPH ~ 0 - 4338 USGPH
 - 1.25"(32 mm) : 0 - 191 USGPH ~ 0 - 9178 USGPH
- Cable Entry : Standard : PG11 Option : 1/2"NPTF
- Ambient Temperature : -13 to +140 °F (-25 to +60 °C)
- Process Connection : Screw male thread (BSP)
- Grounding Resistance : Must be less than 10 Ω
- Accuracy : +/-0.4% read-out values (Velocity ≥ 1.6 ft/s)
+/-0.2% read-out values
(Suitable for AMC3100 converter only)
+/-0.008 ft/s (Velocity < 1.6 ft/s)
- Temperature
 - Compact : +14 to +176 °F (-10 to +80 °C)
 - Separate : -4 to +248 °F (-20 to +120 °C)
- Max. Pressure : 227 psi
- Explosion Proof : Exd(ib)ibqIBT5 (with AMC3100 only)
- Protection Class : IP 67
- Conductivity : More than 5 uS/cm

FLOW RANGE

Unit: USGPH

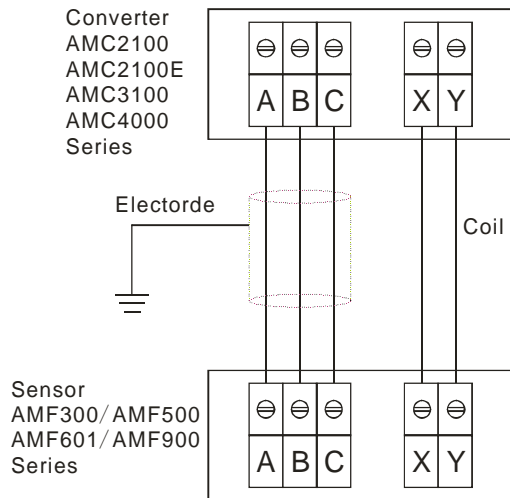
Normal Size mm	Flow Range & Velocity Table						
	Min. 0 - 0.8ft/s(0.25m/s)	3.3ft/s (1.0 m/s)	6.6ft/s (2.0m/s)	9.8ft/s (3.0m/s)	16.4ft/s (5.0m/s)	32.8ft/s (10.0m/s)	Max. 0 - 39.4ft/s(12m/s)
3	0 to 1.7	7	13	20	34	67	0 to 81
6	0 to 6.7	27	54	81	134	269	0 to 323
10	0 to 19	75	149	224	373	747	0 to 896
18	0 to 61	242	484	726	1,210	2,420	0 to 2,904
22	0 to 90	362	723	1,085	1,808	3,615	0 to 4,338
32	0 to 191	765	1,530	2,295	3,824	7,648	0 to 9,178

DIMENSIONS



Size ID	Connection	Dimensions (inch / mm)				Weight Pounds
		L	D	H	H1	
0.12" (3mm)	3/4" BSP	4.33" (110)	3.66" (93)	4.17" (106)	6.89" (175)	3.3
0.24" (6mm)		4.33" (110)	3.66" (93)	4.17" (106)	6.89" (175)	3.3
0.39" (10mm)		4.33" (110)	3.66" (93)	4.17" (106)	6.89" (175)	3.8
0.71" (18mm)	1" BSP	4.84" (123)	3.66" (93)	4.17" (106)	6.89" (175)	4.4
0.87" (22mm)	1-1/4" BSP	5.04" (128)	3.66" (93)	4.17" (106)	6.89" (175)	4.4
1.25" (32mm)	1-3/4" BSP	5.24" (133)	3.66" (93)	7.17" (182)	9.92" (252)	4.9

WIRING DIAGRAM



MODEL SELECTION GUIDE

AMF300 Series					
Example:AMF300-06-C-050-NN					
AMF300-	XX	-X	XXX	-X	Description
Size	03 ~32				3, 6, 10, 18, 22, 32mm(0.12"~1.25")
Electrode Material		-S			Stainless Steel 316L (0.12"(3mm) ~ 1.25"(32mm))
		-T			Titanium (0.12"(3mm) ~ 1.25"(32mm))
		-B			Hastelloy B (0.12"(3mm) ~ 1.25"(32mm))
		-C			Hastelloy C (0.12"(3mm) ~ 1.25"(32mm))
		-A			Tantalum (0.12"(3mm) ~ 1.25"(32mm))
		-P			Platinum (0.71"(18mm) ~ 1.25"(32mm))
		-Z			Others
Installation & Cable Length		NNN			Compact Version
		010~300			Separate Version, Cable 10M(33ft) ~ 300M(984ft)
Option				-N	None
				-X	Explosion Proof, Exd(ib)ibqIIBT5 (with AMC3100 Only)
				-PT	Cable Entry 1/2"NPT

➤ BUILD OPTIONS-(COMPACT OR REMOTE)

