

## GENERAL

**ALIAMAG** AMF500 Series is a wafer type electromagnetic flowmeter ideal for conductive liquids. It comes in sizes from 1"(25 mm) to 8"(200 mm). AMF500 is widely used for tap-water, waste water, food & beverage, pulp & paper and many other industrial fluid. AMF500 Series electromagnetic flowmeter could be used in compact or separate model with AMC Series converter of electromagnetic flowmeter.

## FEATURES

- Light and compact version
- Flow velocity range: 0-12 m/s, precise in low flow applications
- It comes any flanges such as ANSI, DIN, JIS... etc
- Excellent for high pressure application
- Protection class: IP68 available; sensor submersible
- FEP Liner is suitable for vacuum tube
- High accuracy of +/-0.4% value of reading (or +/-0.2% value of reading)
- With Forward/Reverse flowrate measurement function

## STANDARD SPECIFICATION

- Size : 1", 1.25", 1.5", 2", 2.5", 3", 4", 5", 6", 8"
- Measuring Range : Velocity 0-0.25 m/s(0.8ft/s) min.  
0-12 m/s(39.4ft/s) max.
- Material
  - Measuring Tube : Stainless Steel 304
  - Coil Housing : Carbon Steel (Standard)
    - : Stainless Steel 304 (Option)
    - : Stainless Steel 316 (Option)
- Liner : FEP
- Protection Class : Junction box IP67, Body IP68
  - : IP 68 (Submersible)
- Conductivity : More than 5 uS/cm
- Electrode & Grounding : Stainless Steel 316L
  - : Hastelloy B
  - : Hastelloy C
  - : Titanium
  - : Tantalum
  - : Tungsten Carbide
  - : Platinum
- Cable Entry : Standard : PG11 Option: 1/2"NPTF
- Ambient Temperature : -13 to +140 °F ( -25 to +60 °C )
- Process Connection : Wafer
- Flange type : JIS 10K / JIS 20K / JIS 40K  
ANSI 150# / ANSI 300# / ANSI 600#  
DIN PN 10 / PN 16 / PN25 / PN 40
- Grounding Resistance : Must be less than 10 Ω
- Accuracy : +/-0.5% read-out values (Velocity ≥ 1.6 ft/s)  
: +/-0.2% read-out values  
(Suitable for AMC3100 converter only)  
: +/-0.0025 m/s (Velocity < 1.6 ft/s)
- Temperature : -40 to +356 °F (-40 to +180 °C)
- Max. Pressure : 227 psi (Standard)  
: 568 psi (Option)
- Explosion Proof : Exd(ib)IbqIIBT5  
(with AMC3100 only)

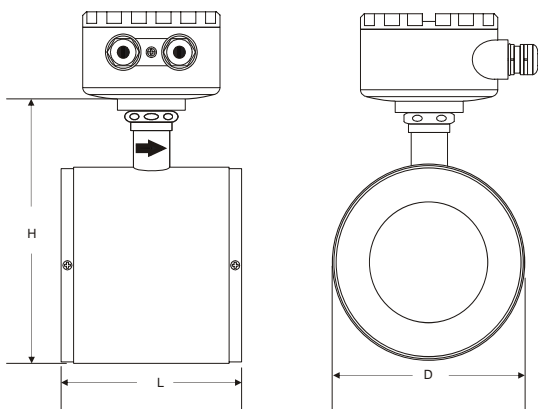


**FLOW RANGE**

Unit: USGPM

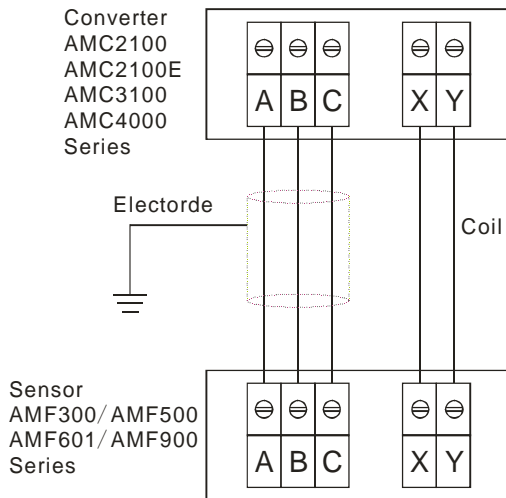
Normal Size		Flow Range & Velocity Table						
mm	Inch	Min. 0 - 0.8ft/s(0.25m/s)	3.3ft/s 1.0 m/s	6.6ft/s 2.0 m/s	9.8ft/s 3.0 m/s	16.4ft/s 5.0 m/s	32.8ft/s 10.0 m/s	Max. 0 - 39.4ft/s(12 m/s)
25	1"	0 to 1.94	7.78	15.55	23.33	38.88	77.8	0 to 93.3
32	1-1/4"	0 to 3.18	12.74	25.48	38.22	63.7	127.4	0 to 152.9
40	1-1/2"	0 to 4.98	19.90	39.81	59.7	99.5	199.0	0 to 238.9
50	2"	0 to 7.78	31.10	62.2	93.3	155.5	311.0	0 to 373.2
65	2-1/2"	0 to 13.14	52.6	105.1	157.7	262.8	526	0 to 631
80	3"	0 to 19.90	79.6	159.2	238.9	398.1	796	0 to 955
100	4"	0 to 31.10	124.4	248.8	373.2	622	1244	0 to 1493
125	5"	0 to 48.6	194.4	388.8	583	972	1944	0 to 2333
150	6"	0 to 70.0	279.9	560	840	1400	2799	0 to 3359
200	8"	0 to 124.4	498	995	1493	2488	4976	0 to 5971

**DIMENSIONS**



Size		Dimensions (inch/mm)			Weight
Inch	mm	L	D	H	Pounds
1"	25	3.5"(90)	2.8"(71)	5.4"(138)	7.7
1-1/4"	32	4.0"(100)	3.0"(80)	5.8"(147)	8.8
1-1/2"	40		3.4"(86)	6.0"(153)	10.0
2"	50	4.5"(115)	4.0"(100)	6.6"(167)	11.5
2-1/2"	65		4.7"(120)	7.4"(187)	14.0
3"	80	5.1"(130)	5.2"(131)	7.8"(198)	16.3
4"	100	6.1"(155)	5.9"(151)	8.6"(218)	19.6
5"	125		7.1"(181)	9.8"(248)	23.4
6"	150	7.3"(185)	8.1"(206)	10.7"(273)	28.7
8"	200	8.5"(215)	10.3"(261)	12.9"(328)	43.7

➤ WIRING DIAGRAM



➤ MODEL SELECTION GUIDE

AMF500 Series									
Example:AMF500-080-CE80-050-N									
AMF500-	XXX	-X	X	X	X-	XXX	-X	Description	
Size	025 ~ 200							25 ~ 200mm(1"~8")	
Electrode Material	-S							Stainless Steel 316L	
	-T							Titanium	
	-B							Hastelloy B	
	-C							Hastelloy C	
	-A							Tantalum	
	-P							Platinum	
	-U							Tungsten Carbide	
	-Z							Others	
Grounding	N							None	
	E							Grounding Electrode (3 Electrode)	
	R							Grounding Ring (S.S.316)	
	A							Grounding & Protection Ring (S.S.316)	
Protection Class	8							Junction box IP67, Body IP68	
	9							IP68 (Submersible, Separate with Converter Only)	
Housing Material	0-							Carbon Steel (Standard)	
	8-							S.S.304 Housing	
	9-							S.S.316 Housing	
Installation & Cable Length	NNN							Compact Version	
	010~300							Separate Version, Cable 10M ~ 300M	
Option	-N							None	
	-X							Explosion Proof,Exd(ib)ibqIIBT5 (with AMC3100 only)	
	-P							Pressure Higher than Standard	
	-T							Max. Temp. Higher than 248 °F (120 °C)	
	-PT							Cable Entry 1/2"NPTF	

**➤ BUILD OPTIONS-(COMPACT OR REMOTE)**

