

GENERAL

ALIAMAG AMF601 Series is a sanitary type electromagnetic flowmeter ideal for conductive liquids. It comes in sizes from 1"(25 mm) to 4"(100 mm).

The AMF601 is widely used for drink water, milk, food & beverage juice and many other industrial fluid.

AMF601 Series electromagnetic flowmeter could be used in compact or separate model with AMC Series converter of electromagnetic flowmeter.

FEATURES

- ❑ Light and compact version
- ❑ Flow Velocity range:0-12 m/s, precise in low flow applications
- ❑ IDF Tri-Clamp or Union screw connection
- ❑ Excellent for high pressure application
- ❑ Protection class: IP68 available; sensor submersible
- ❑ PTFE Liner is suitable for vacuum tube
- ❑ High accuracy of +/-0.4% value of reading (or +/-0.2% value of reading)
- ❑ With Forward/Reverse flowrate measurement function

STANDARD SPECIFICATION

- Size : 1"(25mm), 1-1/4"(32mm), 1-1/2"(40mm), 2"(50mm), 2-1/2"(65mm), 3"(80mm), 4"(100mm)
- Measuring Range : Velocity 0-0.25 m/s (0.8ft/s) min. 0-12 m/s (39.4ft/s) max.
- Material
 - Tube & Connection : Stainless Steel 304 or 316
 - Coil Housing : Stainless Steel 304 (Standard) Stainless Steel 316 (Option)
 - Liner : PTFE
 - Electrode : Stainless Steel 316L Hastelloy B Hastelloy C Titanium Tantalum Tungsten Carbide Platinum
- Protection Class : Junction box IP67, Body IP68 IP68 (Submersible)
- Conductivity : More than 5 uS/cm
- Cable Entry : Standard:PG11 Option:1/2"NPTF
- Ambient Temperature : -13 to +140 °F (-25 to +60 °C)
- Process Connection : IDF Tri-Clamp Union Screw
- Grounding Resistance : Must be less than 10 Ω
- Accuracy : +/-0.5% reading (Velocity ≥ 1.6 ft/s) +/-0.2% reading (Suitable for AMC3100 converter only) +/-0.0025 m/s (Velocity < 1.6 ft/s)
- Temperature : -40 to +302 °F (-40 to +150 °C)
- Max. Pressure : 142 psi (Standard) 569 psi (Option)
- Explosion Proof : Exd(ib)IbqIIBT5 (with AMC3100 only)

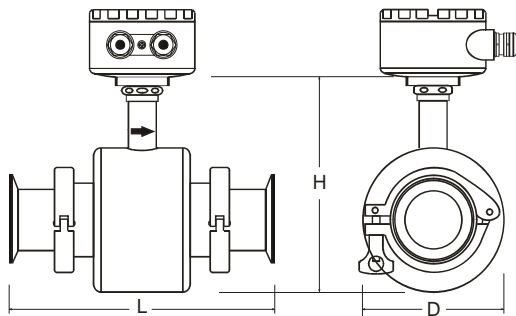


FLOW RANGE

Unit: USGPM

Normal Size		Flow Range & Velocity Table						
mm	Inch	Min. 0 - 0.8ft/s(0.25m/s)	3.3ft/s (1.0 m/s)	6.6ft/s (2.0 m/s)	9.8ft/s (3.0 m/s)	16.4ft/s (5.0 m/s)	32.8ft/s (10.0 m/s)	Max. 0 - 39.4ft/s(12 m/s)
25	1"	0 to 1.94	7.78	15.55	23.33	38.88	77.8	0 to 93.3
32	1-1/4"	0 to 3.18	12.74	25.48	38.22	63.7	127.4	0 to 152.9
40	1-1/2"	0 to 4.98	19.90	39.81	59.7	99.5	199.0	0 to 238.9
50	2"	0 to 7.78	31.10	62.2	93.3	155.5	311.0	0 to 373.2
65	2-1/2"	0 to 13.14	52.6	105.1	157.7	262.8	526	0 to 631
80	3"	0 to 19.90	79.6	159.2	238.9	398.1	796	0 to 955
100	4"	0 to 31.10	124.4	248.8	373.2	622	1244	0 to 1493

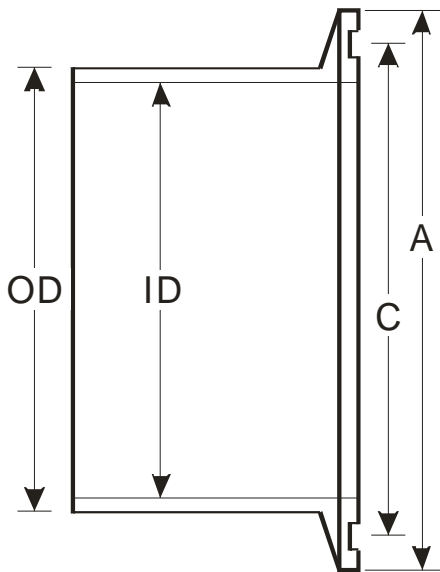
DIMENSIONS



Size		Dimensions (inch/mm)			Weight
Inch	mm	L	D	H	Pounds
1"	25	8.7"(220)	3.9"(99)	6.3"(160)	5.7
1-1/4"	32	8.7"(220)	4.1"(104)	6.5"(165)	6.6
1-1/2"	40	8.7"(220)	4.1"(104)	6.5"(165)	7.9
2"	50	9.8"(250)	4.9"(124)	7.3"(185)	10.4
2-1/2"	65	9.8"(250)	5.7"(144)	8.1"(205)	13.2
3"	80	9.8"(250)	6.1"(154)	8.5"(215)	17.9
4"	100	11.4"(290)	7.6"(192)	10.0"(253)	19.4

TRI-CLAMP SPECIFICATIONS

Unit: mm/inch

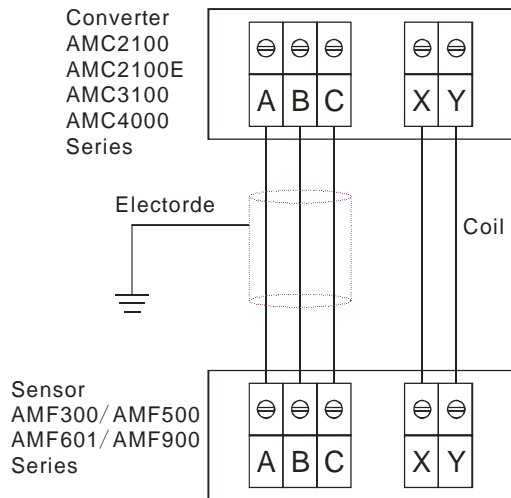


HAB						
Pipe Size	1"	1-1/2"	2"	2-1/2"	3"	4"
	25	40	50	65	80	100
ID	22.1	34.8	47.5	60.2	72.9	97.4
OD	25.4	38.1	50.8	63.5	76.2	101.6
A	50.4	50.4	64.0	77.4	91.0	118.9
C	43.6	43.6	56.3	70.6	83.3	110.3

HDB (DIN 32676)							
Pipe Size	1"	1-1/4"	1-1/2"	2"	2-1/2"	3"	4"
	25	32	40	50	65	80	100
ID	26.0	32.0	38.0	50.0	66.0	81.0	100
OD	30.0	36.0	42.0	54.0	70.0	85.0	104
A	50.5	50.5	50.5	64.0	91.0	106	119
C	43.5	43.5	43.5	56.5	83.5	97.0	110

HKB (ISO 2852)							
Pipe Size	1"	1-1/4"	1-1/2"	2"	2-1/2"	3"	4"
	25	32	40	50	65	80	100
ID	22.6	31.3	35.6	48.6	60.3	72.9	97.6
OD	25.6	34.3	38.6	51.6	64.1	76.7	102.5
A	50.5	50.5	50.5	64.0	77.5	91.0	119
C	43.5	43.5	43.5	56.5	70.5	83.5	110

➤ WIRING DIAGRAM



➤ MODEL SELECTION GUIDE

AMF601 Series							
Example:AMF601-080-SK6-030-X/P							
AMF601-	XXX	-X	X	-X	XXX	-X	Description
Size	025 ~ 100					25 ~ 100mm(1"~4")	
Electrode Material	-S					Stainless Steel 316L	
	-T					Titanium	
	-B					Hastelloy B	
	-C					Hastelloy C	
	-A					Tantalum	
	-P					Platinum	
	-U					Tungsten Carbide	
	-Z					Others	
Process Connection	A					Tri-Clamps, HAB	
	D					Tri-Clamps, HDB (DIN 32676)	
	K					Tri-Clamps, HKB (ISO2852)	
	S					Screw Unions (DIN 11851)	
Connection/Housing Material	-4					S.S.304 Connections / S.S.304 Housing	
	-6					S.S.316 Connections / S.S.304 Housing	
	-9					S.S.316 Connections / S.S.316 Housing	
Installation & Cable Length	NNN					Compact Version	
	010~300					Separate Version, Cable 10M(33ft) ~ 300M(984ft)	
Option	-N					None	
	-X					Explosion Proof,Exd(ib)qIIBT5 (with AMC3100 Only)	
	-P					Pressure Higher than 142psi	
	-T					Max. Temp. Higher than 248 °F (120 °C)	
	-PT					Cable Entry 1/2"NPTF	

➤ BUILD OPTIONS-(COMPACT OR REMOTE)

