

GENERAL

ALIASONIC The Alia AUF760 is a fixed mounted, transit-time ultrasonic Flowmeter. It features factory mounted transducers that allow it to be flow lab calibrated reducing or eliminating the random or bias error that can be present in clamp-on style transducer mounting. The meter ensures an accurate, non-invasive measurement of clean homogeneous liquids processes.

FEATURES

- ❑ 4 line LCD display with flowrate, totalizer & signal condition
- ❑ Stores up 64 Day/Month/Year Totalizer daily value
- ❑ Batch control function
- ❑ Wide range velocities of 0.03 ~ +/- 105ft/s (0.01 ~ +/- 32 m/s)
- ❑ Pipe size from 4" to 40" (100 to 1000 mm)
- ❑ High accuracy of +/-1% of reading
- ❑ Data logger function, include date, totalizer, signal condition... etc
- ❑ Response time less than 1 second

STANDARD SPECIFICATION

- Measuring Principle : Transit time difference
- Pipe Size : 4" ~ 40"
: 100 mm ~ 1000 mm
- Material : Carbon Steel / Stainless Steel 304
: Stainless Steel316
- Process Connection : Flange
- Flange type : JIS 7.5K / JIS 10K / JIS 20K / JIS 40K
ANSI 150# / ANSI 300# / ANSI 600#
DIN PN 10 / PN 16 / PN25 / PN 40
- Max. Pressure : 569 psi
- Process Temperature : -4~+230 °F (-20 ~ +110 °C)
- Display : 4 Line LCD with illumination
Flowrate : 5 digit with decimal point
Totalizer : 8 digit, Forward, Reverse & Net values.
Engineer Unit : M3, Liter, US Gallon, Imperial Gallon,
Million Gallon, Cubic Feet, US Barrels,
Imperial Barrels, Oil Barrel
Time Unit : Second, Minute, Hour, Day
Other : Velocity, Date, Time, Signal Condition
- Accuracy : +/- 1.0% of reading
- Repeatability : +/-0.2% of reading



- Keypad : 16 Key with tactile action
- Response Time : Less than 1 second
- Flow Velocity : 0.03 ~ +/- 105ft/s (0.01 ~ +/- 32 m/s)
- Resolution : 0.0003ft/s (0.0001 m/s)
- Ambient Temperature : -4~+122 ° F(-20 ~ +50 ° C)
- Mounting : Wall mounting
- Max. Cable Length : 492ft (150 M)
- Power Consumption : Less than 2W
- Power Supply : 90 ~ 260Vac 50/60 Hz/ 24Vdc
- Data Storage : Operation parameters and totalization
date are stored by EEPROM for more
than 10 years
- Output : 4-20 mA or 0-20 mA
- Pulse Output : 1- 9999 Hz
- Data Logger : Limitless overwriting in 64 columns
(Flowrate, totalizer, time, date included)
- Alarm : High/Low with buzzer
- Communication : RS-232
- Dimensions : 9.3" * 8.1" * 3.7" (235 * 205 * 95 mm)
- Weight : 3.3 lbs (Converter)
- Protection Class

Converter : IP65

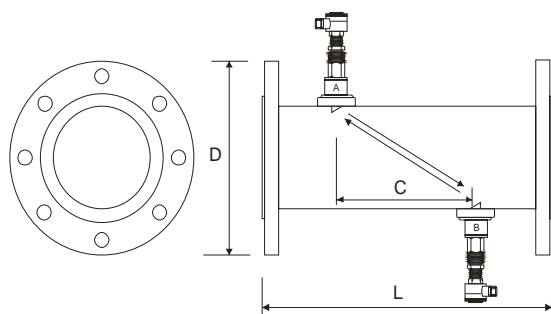
Sensor : IP68(Submersible)

FLOW RANGE

Unit: USGPM

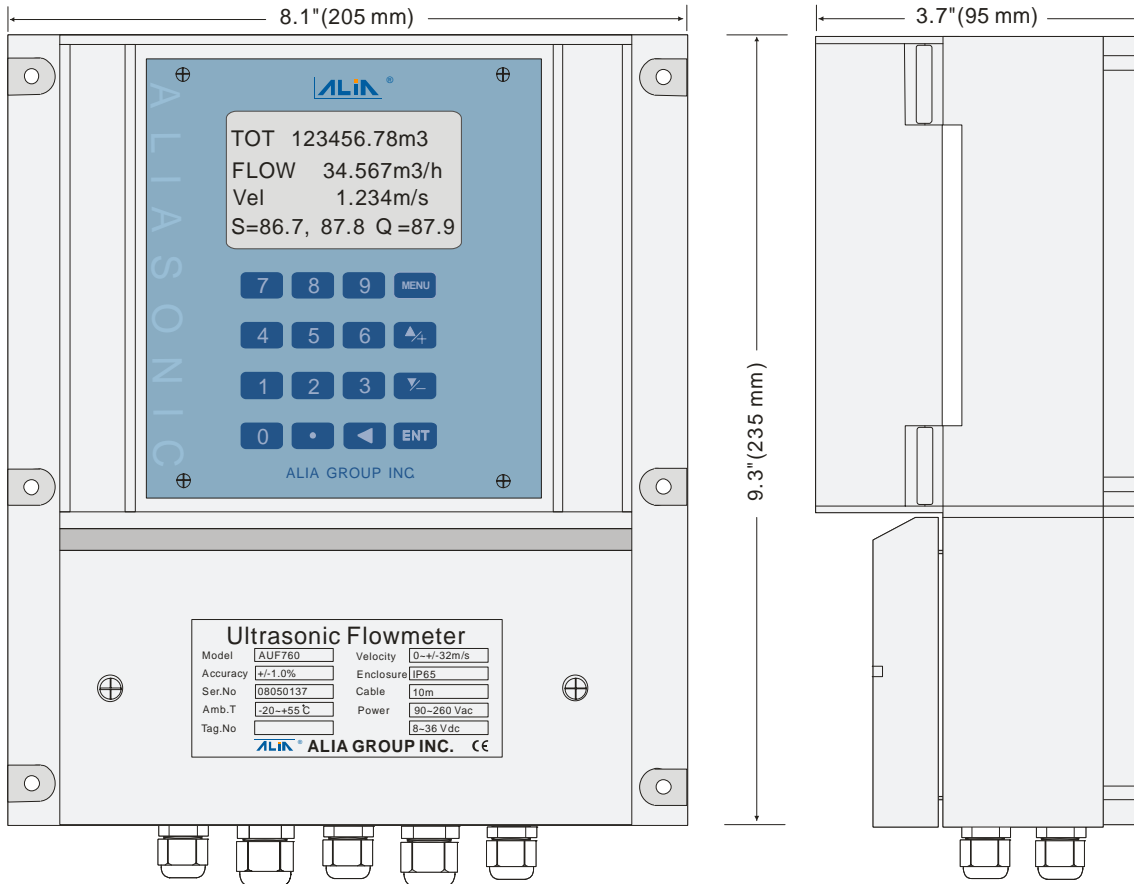
Normal Size		Flow Range & Velocity Table						
mm	Inch	Min.					Max.	
		0 - 1.64ft/s(0.5m/s)		3.28ft/s(1.0m/s)	6.56ft/s(2.0m/s)	16.4ft/s(5.0m/s)	32.8ft/s(10.0m/s)	0 - 98.4ft/s(30m/s)
100	4"	0 to	62	124	249	622	1244	0 to 3732
125	5"	0 to	97	194	389	972	1944	0 to 5831
150	6"	0 to	140	280	560	1400	2799	0 to 8397
200	8"	0 to	249	498	995	2488	4976	0 to 14929
250	10"	0 to	389	778	1555	3888	7775	0 to 23326
300	12"	0 to	560	1120	2239	5598	11196	0 to 33589
350	14"	0 to	762	1524	3048	7620	15240	0 to 45719
400	16"	0 to	995	1990	3981	9952	19905	0 to 59714
450	18"	0 to	1260	2519	5038	12596	25192	0 to 75576
500	20"	0 to	1555	3110	6220	15551	31101	0 to 93303
600	24"	0 to	2239	4479	8957	22393	44786	0 to 134357
700	28"	0 to	3048	6096	12192	30479	60958	0 to 182875
800	32"	0 to	3981	7962	15924	39809	79619	0 to 238857
900	36"	0 to	5038	10077	20154	50384	100768	0 to 302303
1000	40"	0 to	6220	12440	24881	62202	124404	0 to 373213

Dimension & Weight

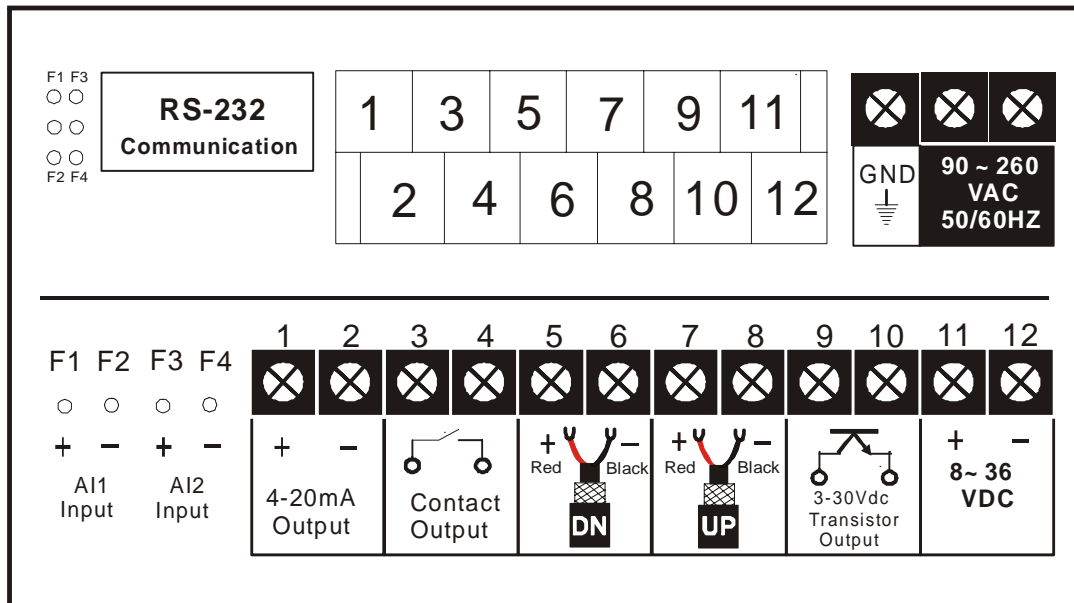


Normal Size		Transducer Spacing	Dimensions (inch/mm)			Weight
mm	Inch	C	L	D	Pounds	
100	4"	3.7"(93.78 mm)	15.7"(400 mm)	8.7"(220 mm)	42	
125	5"	4.7"(118.87 mm)	17.7"(450 mm)	9.8"(250 mm)	51	
150	6"	5.7"(143.87 mm)	17.7"(450 mm)	11.2"(285 mm)	62	
200	8"	7.7"(194.87 mm)	19.7"(500 mm)	13.4"(340 mm)	75	
250	10"	9.6"(242.87 mm)	21.7"(550 mm)	15.6"(395 mm)	95	
300	12"	11.5"(290.87 mm)	27.6"(700 mm)	17.5"(445 mm)	117	
350	14"	13.4"(340.87 mm)	29.5"(750 mm)	19.9"(505 mm)	150	
400	16"	15.3"(389.87 mm)	31.5"(800 mm)	22.2"(565 mm)	187	
450	18"	17.3"(439.87 mm)	33.5"(850 mm)	24.2"(615 mm)	231	
500	20"	19.3"(489.87 mm)	35.4"(900 mm)	26.4"(670 mm)	287	
600	24"	23.2"(589.87 mm)	39.4"(1000 mm)	30.7"(780 mm)	485	
700	28"	27.2"(689.87 mm)	47.2"(1200 mm)	35.2"(895 mm)	772	
800	32"	31.1"(789.87 mm)	51.2"(1300 mm)	40.0"(1015 mm)	904	
900	36"	35.0"(889.87 mm)	55.0"(1400 mm)	44.0"(1115 mm)	1036	
1000	40"	39.0"(989.87 mm)	59.0"(1500 mm)	48.0"(1230 mm)	1345	

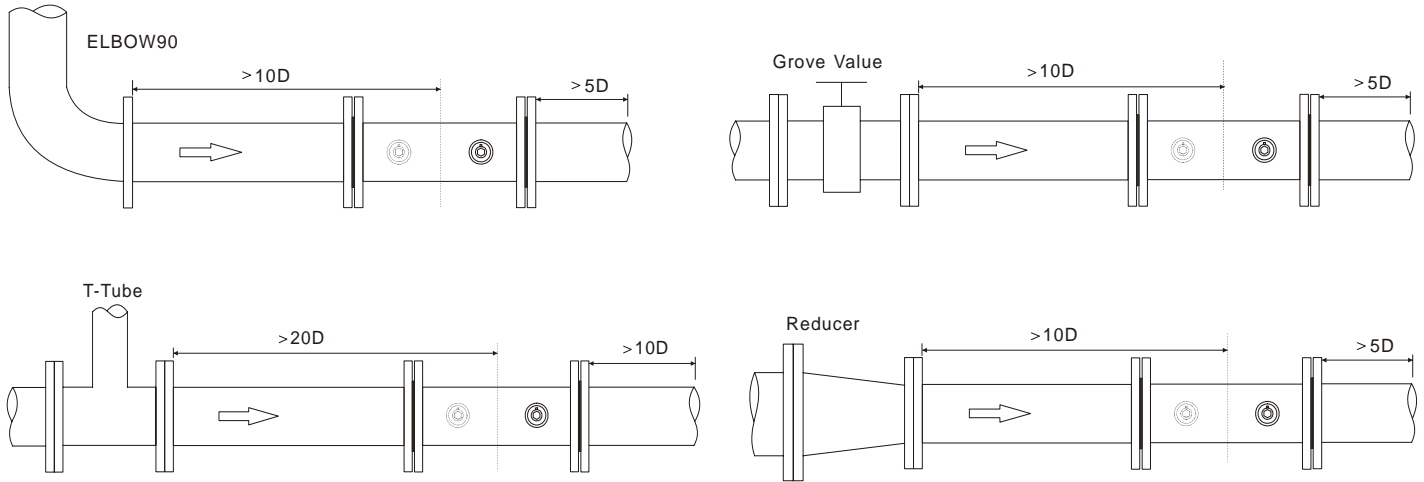
➤ DIMENSIONS FOR ULTRASONIC FLOWMETER



➤ WIRING DIAGRAM



➤ CONDITIONS ON STRAIGHT PIPE



➤ MODEL SELECTION GUIDE

AUF760 Series							
Example: AUF760-0150-A80-020-NN							
AUF760-	XXXX-	X	X	X-	XXX	-X	Description
Size	100~1000-						100-1000mm(4"~40")
Process Connection	1						PN10
	2						PN16
	3						PN25
	4						PN40
	A						ANSI 150 #
	B						ANSI 300 #
	C						ANSI 600 #
	7						JIS 7.5K
	J						JIS 10K
	K						JIS 20K
	L						JIS 40K
Z						Others	
Protection Class	8						IP68
	9						IP68 (Submersible)
Flange & Tube	0-						S.S.304 Tube & Carbon Steel Flange
	4-						S.S.304 Tube & S.S.304 Flange
	6-						S.S.304 Tube & S.S.316 Flange
	8-						S.S.316 Tube & S.S.316 Flange
Cable Length					005~150	Separate Version, Cable 5M ~ 150M (197"~5905")	
Power Supply						-NN 90-260 VAC, 50/60 Hz or 8-36VDC	